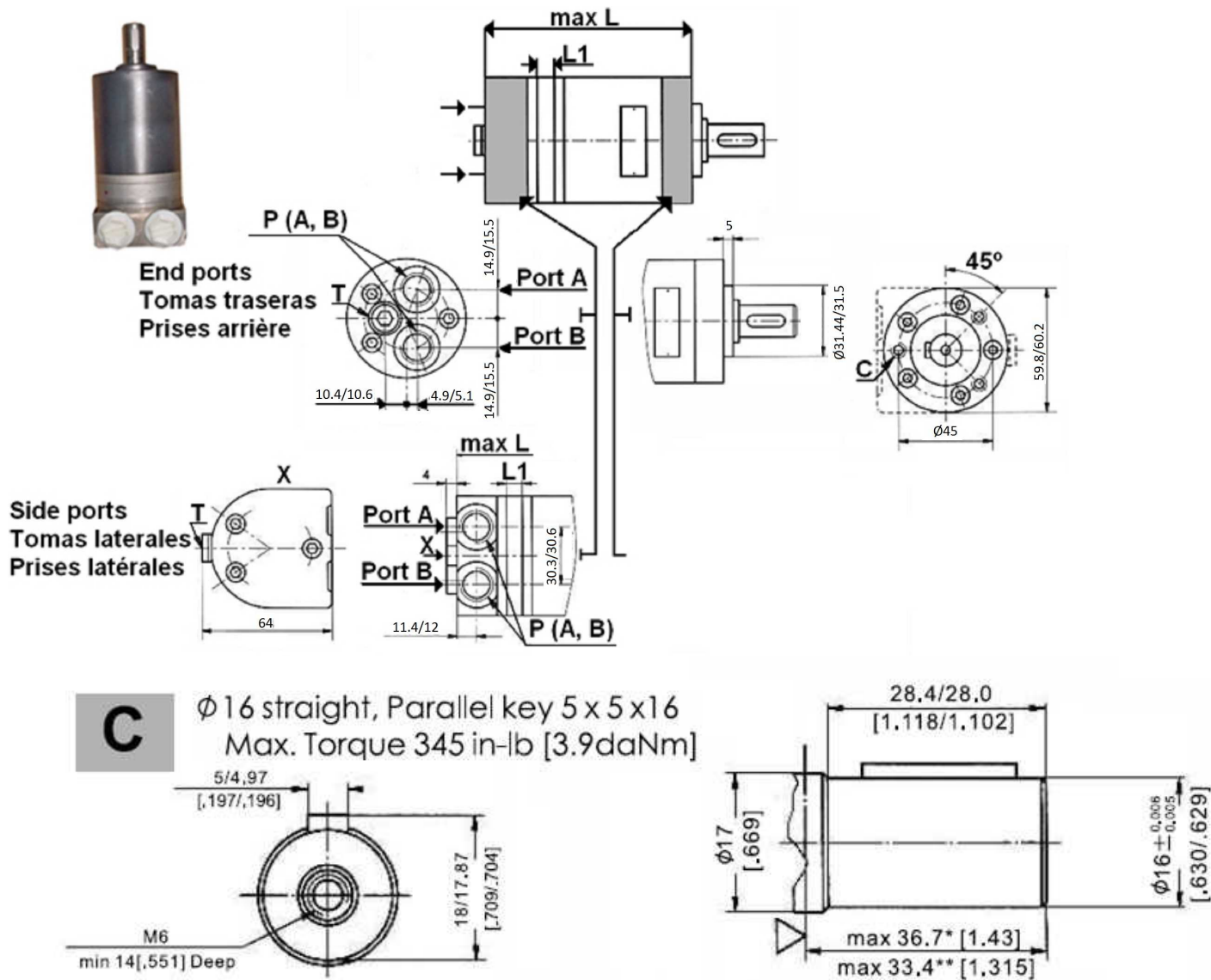


MOMM type motor 16mm Ø



Part n°	R1	Max. flow (l/min)	Max. press. cont.	Max. press. interm.	Max. Peak press.	cm ³ / rev	R.P.M. cont.	R.P.M. int.	Max. torque cont.	Max. torque peak	Max. power cont.	Max. flow cont.	L1	L
MOMM8 E	3/8" BSP	16	100	140	200	8.2	1.950	2.450	1,1	2,1	1,8	16	3,5	104,5
MOMM8 S	3/8" BSP	16	100	140	200	8.2	1.950	2.450	1,1	2,1	1,8	16	3,5	106
MOMM12.5 E	3/8" BSP	20	100	140	200	12.9	1.550	1.940	1,6	3,3	2,4	20	5,5	106,5
MOMM12.5 S	3/8" BSP	20	100	140	200	12.9	1.550	1.940	1,6	3,3	2,4	20	5,5	108
MOMM20 E	3/8" BSP	20	100	140	200	19.9	1.000	1.250	2,5	5,1	2,4	20	8,5	109,5
MOMM20 S	3/8" BSP	20	100	140	200	19.9	1.000	1.250	2,5	5,1	2,4	20	8,5	111
MOMM32 E	3/8" BSP	20	100	140	160	31.6	630	800	4	6,4	2,4	20	13,5	114,5
MOMM32 S	3/8" BSP	20	100	140	160	31.6	630	800	4	6,4	2,4	20	13,5	116

Hydraulic motors

Hydraulic motors

MOMM type motor 16mm Ø

Page: 2/2

Part nº	R1	Max. flow (l/min)	Max. press. cont.	Max. press. interm.	Max. Peak press.	cm ³ / rev	R.P.M. cont.	R.P.M. int.	Max. torque cont.	Max. torque peak	Max. power cont.	Max. flow cont.	L1	L
MOMM40 E	3/8" BSP	20	90	140	160	39.8	500		4,5	8,2	2,2	20	17	118
MOMM40 S	3/8" BSP	20	90	140	160	39.8	500		4,5	8,2	2,2	20	17	119,5
MOMM50 E	3/8" BSP	20	70	140	160	50.3	400	500	4,6	1	1,8	20	21,5	122,5
MOMM50 S	3/8" BSP	20	70	140	160	50.3	400	500	4,6	1	1,8	20	21,5	124

***** Review attached PDF*****

*Intermittent operation rating applies to 10% of every minute.

*Peak load rating applies to 1% of every minute.

Drain plug 1/8"